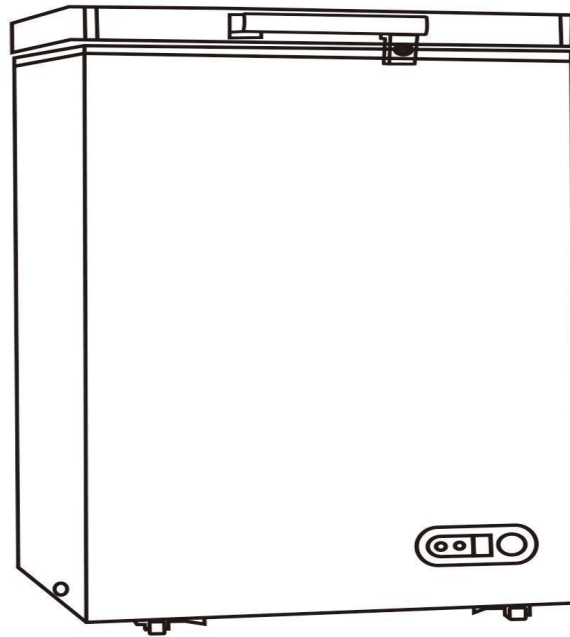


# HESSTAR

## CHEST FREEZER

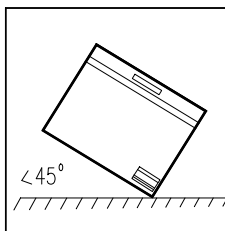
HCF-PD45L



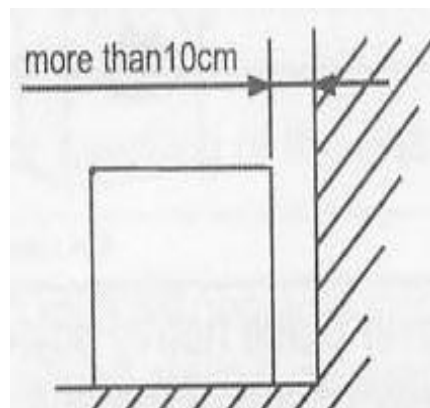
### INSTRUCTION MANUAL

Please read this manual carefully.  
To keep this manual in the place accessible by a user at any time.

## TRANSPORTATION AND INSTALLATION:



1. When you transport the freezer, the angle between the compartment body and the ground should be not more than  $45^\circ$ , and you should never place the freezer up-side down.
2. Do not use any of the external part as loading points, for example, the condenser on the back, the door or the hinge.
3. When the freezer is installed or used, all the package (including board and foam plastic) should be got rid of.
4. Keeping the freezer stable to avoid vibration and noise.
5. The freezer should be installed in the place with good ventilation, a space of at least 10cm should be allowed between the surrounding walls and the cabinet wall for air condition.
6. It should be placed far from heating resource and not under direct sunshine to avoid decrease of the efficiency of refrigeration.



7. Place the freezer under dry condition as to prevent rust on the body, which may affect the electric insulation.

## CAUTIONS:

1. The freezer must be connected with earth correctly, never with the heating pipe and coal gas pipe.



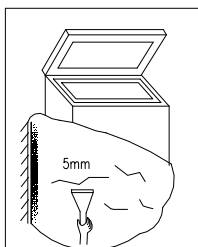
2. In case of any damage on the electric wires and plug, please contact the after-sales service and never do it by yourself. When plug out, please take the plug, not the wires.
3. If the voltage is unstable, please choose the suitable automatic voltage regulator.
4. Turn on the power to check the freezer before using, the freezer can be used until the temperature decreases obviously after 30 minutes.
5. You should adjust the temperature control according to the requested temperature and quantity of the stored food and the environmental temperature.
6. Before put the food into the freezer, please turn on the "Fast Freeze" switch (if without this switch, please adjust the temperature control to the lowest point) and let it work till the temperature of inner cabinet decreases to  $-18^\circ\text{C}$  and then put the food in, after 12 hours turn off the "Fast Freeze" and

adjust the temperature control to the normal point.

7. Never put hot food in the freezer directly only after it has been cooled naturally outside.
8. Not fill the freezer and make it too full, big meat should be divided into small parts. There should be reasonable space between the foods for better freezing.
9. If power is cut off, you should wait for at least 5 minutes before turn on again to avoid damage to the compressor.
10. The food stored should be packed with plastic bag to avoid smell-mixed and moisture-lost, and reduce the frost.
11. Never store any flammable, explosive and corrosive liquid or gas in the freezer and keep it away from them.
12. When put beers and beverages , please adjust the temperature.
13. Please turn the temperature control to the lowest point if you want to store ice cream or other uneasy-frozen food.

### DEFROST

1. when the frost thickness on the wall of the cabinet reaches 5mm, please do defrost to optimize the freezing capacity.
2. Turn the temperature control to the lowest point for 5-6 hours before defrosting.
3. Cut off the power and take out the food, use the defrost removal, do not use sharp tools.
4. After defrosting, clean the wall with dry cloth, and then power on. .



### THE FOLLOWING PHENOMENA ARE NORMAL:

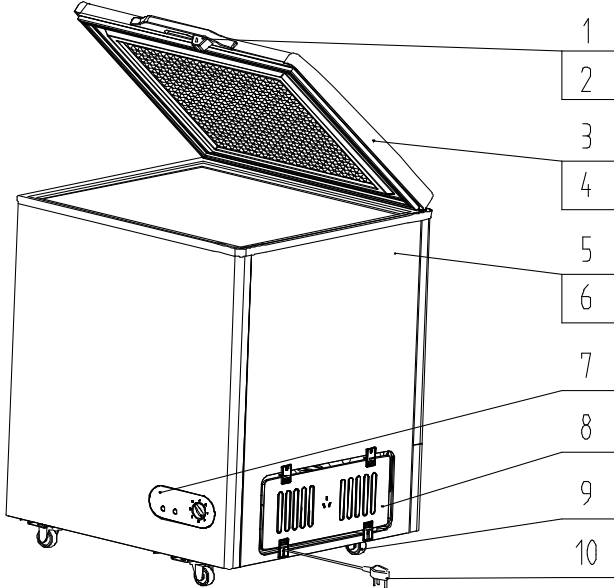
1. There will be sound of water flowing when the refrigerant is flowing.
2. When the environment humidity is too high, there will be dew condensed on the surface of the freezer.
3. When the freezer is running, the condenser and compressor will be hot.

### TROUBLE SHOOTING:

TROUBLES	REASON	SOLUTION
Unfreezing	*Temperature control is at the highest point	Adjust the temperature
	*Plug and outlet not connected well	Make them connected well
	*Fuse broken off	Change the fuse
Compressor do not stop working	*Temperature control is at the lowest point	Adjust temperature control
	*Too much food stored at one time	Reduce the quantity
	*Thick frost	Defrost
	*Too much times of door-opening	Reduce the times of door-opening
	*Too near the wall	Far from the wall
Big noise	*Near the hot source or sun	Change the place
	*Ground is not flat	Change the place
	*Refrigerating tubes touch each other	Separate them

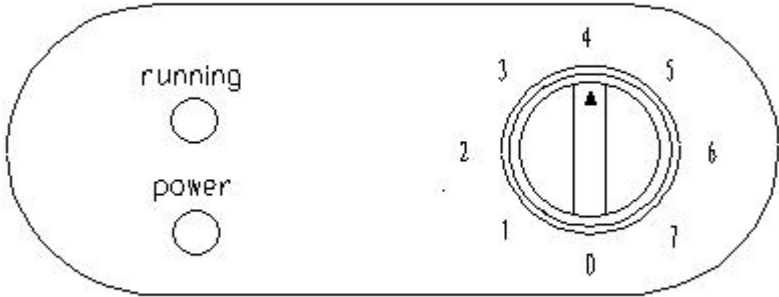
**REMARK:** If you can not solve the troubles according to the above-mentioned ways, please contact the after-sales service, do not handle it by yourself.

**THE FOAM TOP COVER SINGLE-DOOR CHEST FREEZER**



- 1. LOCK
- 2. HANDLE
- 3. FOAM TOP COVER
- 4. HINGE
- 5. BOX
- 6. BASKET
- 7. CONTROL PANEL
- 8. ADJUSTIVE NUT
- 9. VENTILATION PLATES
- 10. POWER CORD

**THE FUNCTION OF CONTROL PANEL:**



- 1. Adjust the temperature by dialing the dial.
- 2. Position “0, 1, 2, 3” means that the temperature inside freezer is higher than normal.
- 3. Position “4” means that the temperature inside freezer is normal.
- 4. Position “5, 6, 7” means that the temperature inside freezer is lower than normal.
- 5. The sign “0, ...,7” is NOT the REAL temperature inside freezer.

## MAINTENANCE AND CLEANNESS:

1. Do not open the door frequently in order to save energy.
2. Never put heavy or hot stuff on the top of the freezer to avoid deforming.
3. Cut off the power before cleaning.



4. To clean the freezer, please use soft cloth dampened in some moderate detergent and warm water.
5. Use warm water to clean oil or fruit juice stain on the gasket in order to keep its elasticity. Apply some talcum powder to it to prolong its life.
6. The freezer should not be left unused for a long time, to stop using the freezer, cut off the main power first, then clean the inside and keep the door open for 2~3 days to dry it.

## ATTENTION:

- ◇ Young children or infirm person without supervision can't operate the appliance.
  - ◇ Young children should be supervised not to play with the appliance.
  - ◇ We have a policy of improving our product and reserve the right to change materials and specifications without notice. Please find the specific parameters on the rated label of the product.
  - ◇ a) Dew condensed on the surface of the freezer  
b) Sound of water flowing when the refrigerant is flowing
- The above phenomena are also declared as normal phenomena.