

HESSTAR

INSTRUCTION MANUAL



Note:

- Read this instruction and warranty card before operating the appliance, and keep it for future reference.
- To ensure the correct and safety use of this appliance, please read this instruction carefully and follow the installation guide.
- All installation and repair service must be carried out by authorized personnel.
- Warranty will be avoid for any incorrect installation by unauthorized personnels.

Catalogue

| | |
|---------------------------------|-----|
| Introduction----- | 2 |
| Spare parts layouts----- | 3-4 |
| Safety instruction----- | 5 |
| Installation instructions ----- | 6-7 |
| Operation instruction----- | 7-8 |
| Maintenance ----- | 8 |
| Breakdown removal----- | 9 |

Introduction

- **Upper wind-in, side wind-in design**

Upper wind-in and side wind-in structure will guarantee free ventilation. In this way, the wind-in problem for built-in gas hobs will be solved effectively, which will make sure full burning.

- **Built-in struct redesign, space saved**

Adopting built-in structure, saving space effectively, matching with the kitchen. harmoniously.

- **Elegant appearance design, various cooktop selectable**

Unique appearance design, stainless steel or anvil face cooktop, durable, oil resistance and easy cleaning, enameled cooktop, noble and elegant.

- **Impulse ignition, high ignition rate**

Impulse ignition with 100% ignition rate.

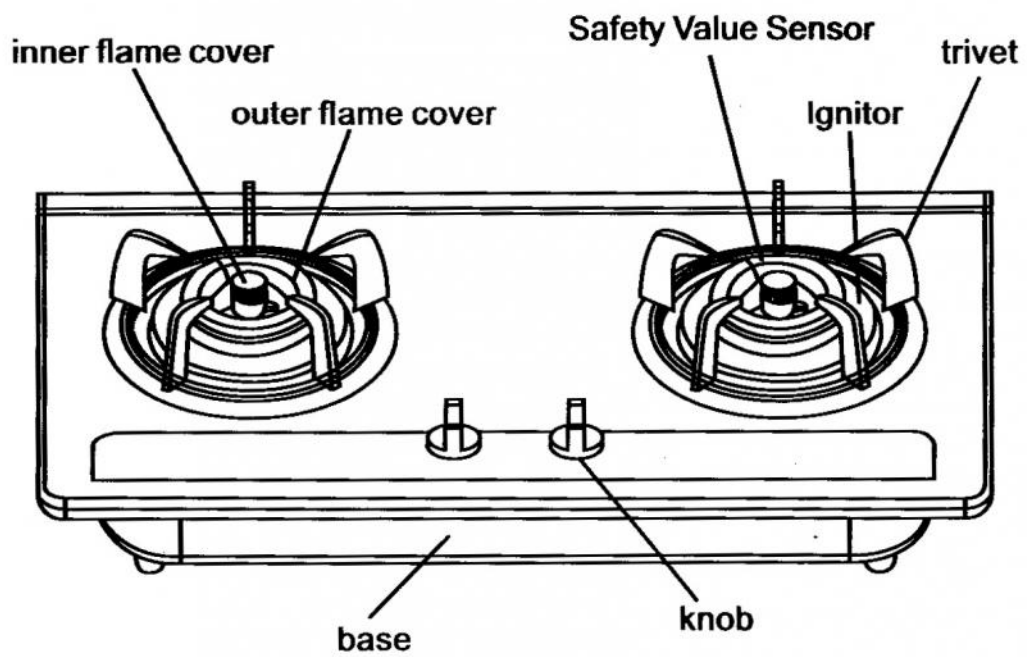
- **Aluminum alloy flame lid, anti-deformation**

Durable

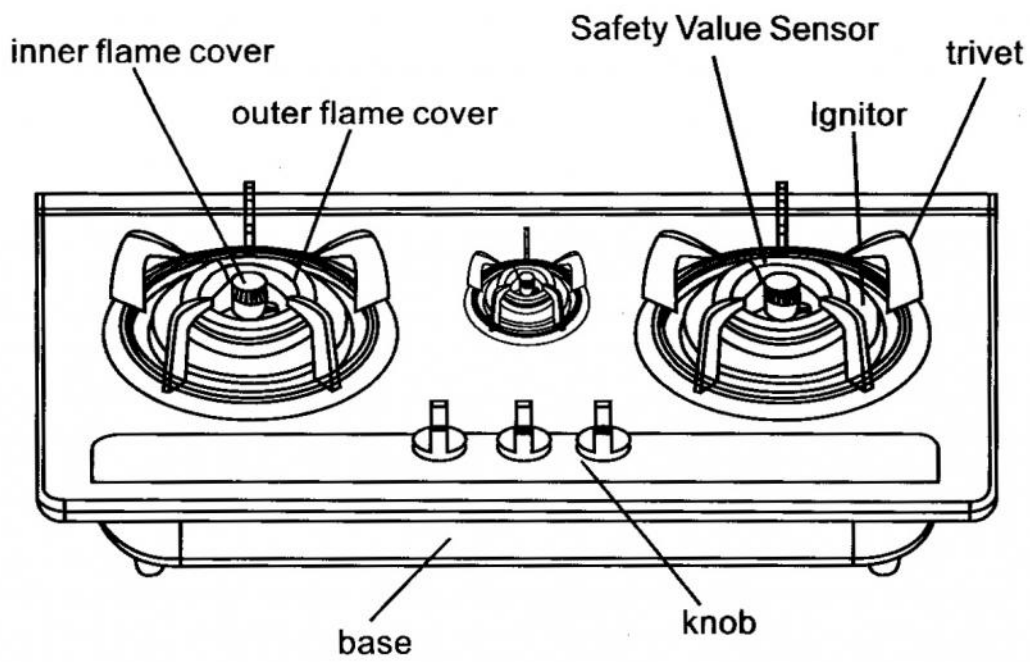
- **Safety device**

In case flames out accidentally, safety device will close gas valve and cut off gas supply automatically. (only for these models with safety device function)

Spare Parts Layout



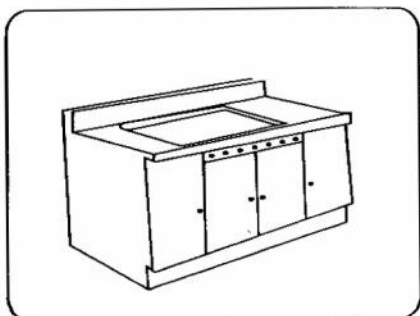
Spare Parts Layouts



Safety Instruction

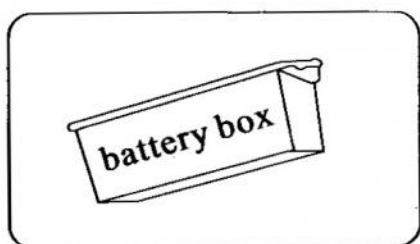
- 1: Make sure gas type used must be in accordance with the required gas type, mixing with other gas type is forbidden.
- 2: Pay attention to kitchen ventilation, open the window or the blower frequently, make sure fresh air change all the time.
- 3: Avoid scald hurting when cooking, grid, burner and cooktop will be in high temperature in usage or just after usage, touch with hand directly is strictly prohibited. (make sure children should be far away from the appliance)
- 4: Easy burning or easy explosion goods can't be put on the top of or near the appliance.
- 5: Put soap water in every connection point of the flexible hose frequently to detect gas leakage. Because of the special chemical substance contained in the burning gas, you will feel decayed egg smell if gas in the air elevates to a certain percentage.
- 6: In case gas leakage occurs, any action may cause gas explosion must be forbidden. (don't switching fan or any electrical appliance, testing with fire is strictly forbidden). You should shut off the gas valve immediately, then open the window for ventilation!

Installation Instructions



Connection should be correct.

- In order to install built-in gas hob, you should first put the template on the cooktop, then put the appliance in after you have made an opening in the cooktop.
- The free space under the appliance should be more than 40cm, over the appliance should be more than 100cm.
- We suggest you making wind-in opening in the front of cupboard.

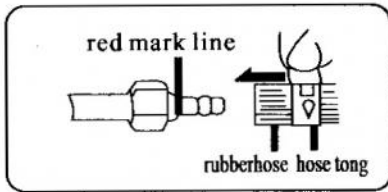


The installation and un-installation of the battery

- Find the battery box under the cook plate, take out the battery from the plastic bag attached, then make sure the cathode end of the battery is fixed near the end with spring in the box, press it into the battery box.

Installation Instructions

Connection should be correct.



- Please connect the rubber hose with the brass connector directly, fix it with the hose tong when it reaches the red mark position. The rubber hose and tong should be in accordance with the government's standard requirement, pay attention to the expiry date at the same time.

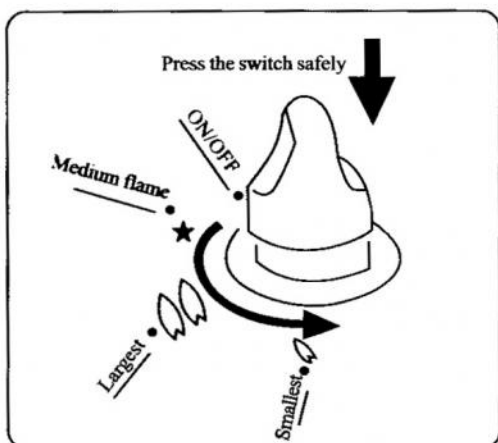
Notes: Check whether there is gas leakage in the connection points after installation. Put the soap water on the connection points then open the gas switch, close it and re-fix rubber hose if there is leakage.

Operation instruction


Ignition

- Open the general gas valve, then press the switching knob and revolve to the opposite direction of clock, you will hear “ baba” continuous sound and the burner will be ignited (you should press for 3 to 5 seconds for safety device models). Due to the air in the tong, there may be un-smooth ignition when using the appliance for the first time after installation. In this case, you should ignite repeatedly. If you fail to ignite successfully, or you hear the pause for the ignition sound being prolonged, you should change the battery.

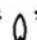
Adjustment of flame





Largest flame

Press the switch fully and revolve to the opposite direction of clock until it reached the position of “” It will ignite automatically when you hear the sound of “ba”. The flame is the largest in this position.


Smallest flame

The flame will be the smallest when the switch is in “” positionl.

• Medium flame

Move the switch position from “” to “”, the burner will burn with medium flame.

Flame

- Turn the switch knob to “OFF” or “” position, the flame will be out.
- Make sure the flame is completely out, then shut off the general gas valve.

Maintenance

- 1: Use the soft rag or sponge to clean the cooktop.
- 2: It will cause stoppage in the outlet nozzle when there is dirt in the burner. Make sure to clean it regularly.
- 3: Use Iron silk to clean the flame lid.
- 4: Keep the thermocouple and discharge needle clean regularly.
Use dry rag to wipe off any possible dirt around the thermocouple or the discharge needle.

Troubleshooting

| breakdown | The cause of breakdown | Breakdown removal |
|---|--|--|
| Flame out when burning | Open or close cupboard door quickly will cause inverse-suction | Slow down the speed of opening and closing cupboard door |
| Ignition failure | Forget to turn on general gas switch | Turn off gas valve then turn on the general gas switch |
| | Air mixed in the hose | Ignite repeatedly until there is no air inside |
| | Rubber hose wrapped or deformed | Pull it straight or change it |
| | Ignition needle-point is extremely dirty | Clean it with dry rag |
| | Stoppage of nozzle | Contact our after-sale service center |
| Foul smell of gas | Rubber hose fissile or broken | Change it |
| | Incorrect connection of rubber hose | Make sure correct connection |
| | Breakdown of igniter | Contact our after-sale service center |
| Flame jump off the burner or flame leakage with noise | Incorrect air adjustment | Adjust the air adjustment board or wind-in card |
| | Flame lid deflection | Place it in good position |
| | Stoppage of flame lid nozzle | Remove stoppage |
| | Stoppage of outlet nozzle | Contact our after-sale service center |