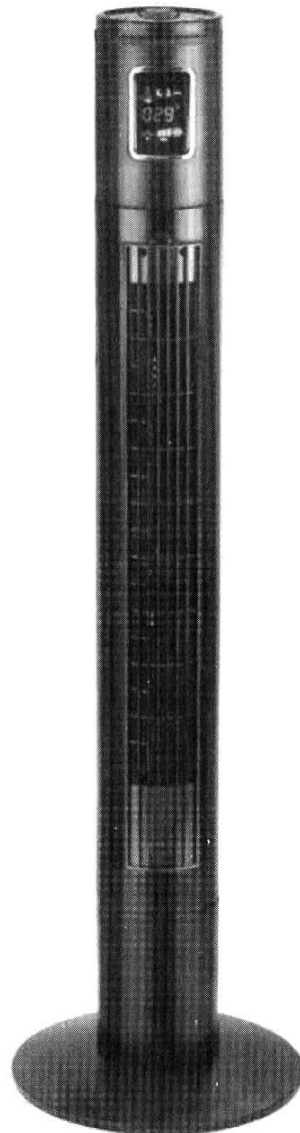


# **HESSTAR**

## **TOWER FAN**



### **HTF-245LR**

## **INSTRUCTION MANUAL**

## SAFETY INSTRUCTION

**Warning!** When using electric tools, basic safety precautions should be followed to reduce the risk of fire, electric shock and personal injury including the following,

**Read all these instructions before attempting to operate this product and save these instructions.**

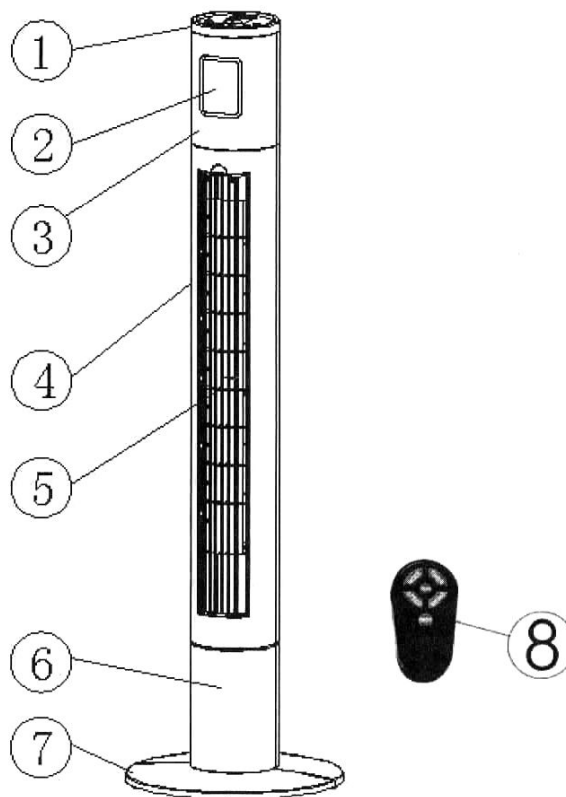
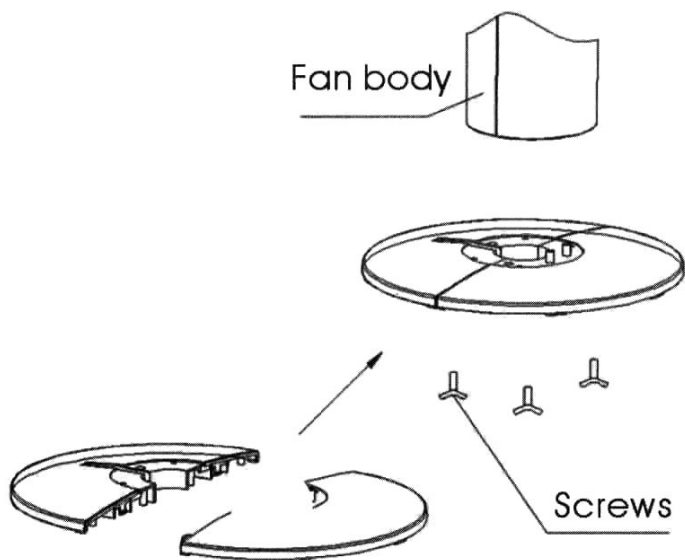
- Check the voltage indicated on the rating plate. This tool is designed for a 220-240V~50/60Hz electric supply
- Do not use electrical extension cord with this fan.
- Do not introduce your fingers through the front case. Do not let children introduce any foreign body into the front case.
- Do not let hair net curtains, tablecloth, clothes or curtains next to the openings of the fan. They could be aspirating into the fan, causing damaged or injuries.
- Do not use any fan having a cord or a plug damaged, after working default or if the fan is fallen or have been damaged by any way
- Periodically check the electric cable of this fan. If the electric cable is damaged, it must be replaced by the manufacturer its after-sales service or by a similar qualified person in order to avoid a danger
- Do not use this fan outside.
- Do not use this fan in a damp area such as bathroom.
- Do not use this fan on a window.
- Do not use this fan with any semi-conductors speed control.
- The fan should not be operate without a base nor used laying on its side.
- Do not place the electrical cord under a cover Do not overlay the cord with little covers or such element. Place the cord in an area where there are not any risk to stumble over it.
- The fan must always be unplugged when not operating. To unplug the fan, all the switches must be on the position "OFF" and then the plug could be disconnected.
- Do not operate the fan in an area where gasoline is used or stocked, painting or such flammable liquids.
- Use this fan only as it is describe in this manual.
- Do not try to throw off this fan, there are not any piece that could eventually be repaired by the user If you need maintenance, please send back the fan to the authorized dealer
- No part of this fan must be replaced by the user.
- The fan should not be opened by user
- If the supply cord is damaged, it must be replaced by the manufacturer or its service agent or a similarly qualified person in order to avoid a hazard.
- The fan **MUST NOT** be earthed.
- **Keep electrical appliances out of reach from Children or infirm persons. Do not let them use the appliances without supervision.**

**NOTE:** There are no serviceable parts in this unit. Do not attempt to disassemble.

**WARNING:** Never use this fan with any solid-state speed control device. Doing so will create fire and/or shock hazards.

## PARTS OF THE FAN

- 1 Top control panel
- 2 FND Display
- 3 Front cover
- 4 Back cover
- 5 Grille
- 6 Column
- 7 Base
- 8 Remote control



## Assembly Instructions

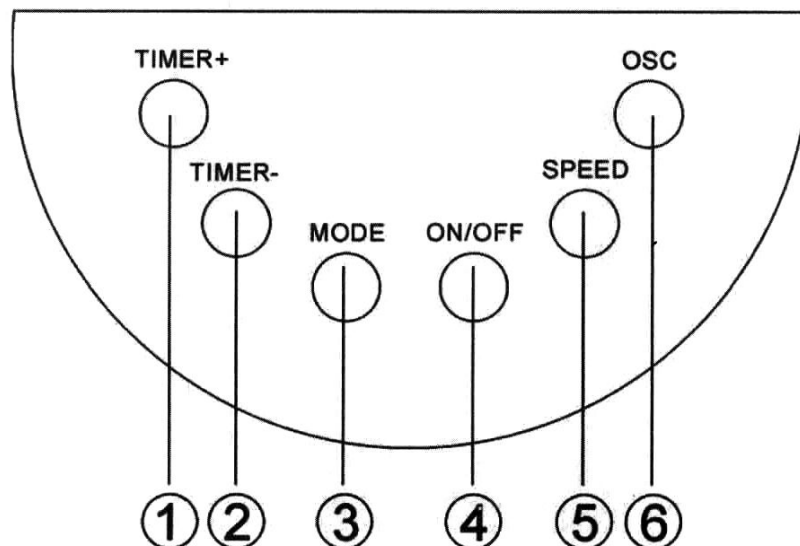
- 1 Remove all items of packing from the tower fan.
- 2 Pass the power cord through the middle of the two base pieces
- 3 Position base piece onto the support posts of the other base piece to create the base assembly.
- 4 Turn the tower body upside down position the base assembly onto the pedestal tube. Ensure that the pedestal tube is sitting flush in the base assembly
- 5 Screw the base assembly onto the pedestal tube with the supplied screws.
- 6 Position the power cord into the provided cord track in the rear base.
- 7 Turn the tower fan back to upright position. It is now ready for use.

**CAUTION:** THIS FAN MUST OPERATE IN THE UPRIGHT POSITION ONLY DO NOT LAY FAN ON ITS SIDE OR IN ANY OTHER POSITION. DOING SO MAY CAUSE DAMAGE TO THE FAN AND/OR PERSONAL PROPERTY DO NOT USE THIS FAN WITHOUT ITS BASE.

## Operating Instructions

- 1 Use in a dry place, free of excessive humidity and water.
2. This unit can be operated by the control panel on the fan or by remote control in the same manner

### Top control panel



#### **On/Off:**

Press this button to turn the fan on or off.

Press it, product will start at low speed. Press again, the product will stop.

**Osc:** Press the oscillation button to activate the oscillation function for widespread breeze distribution. Press again to turn the oscillation function off

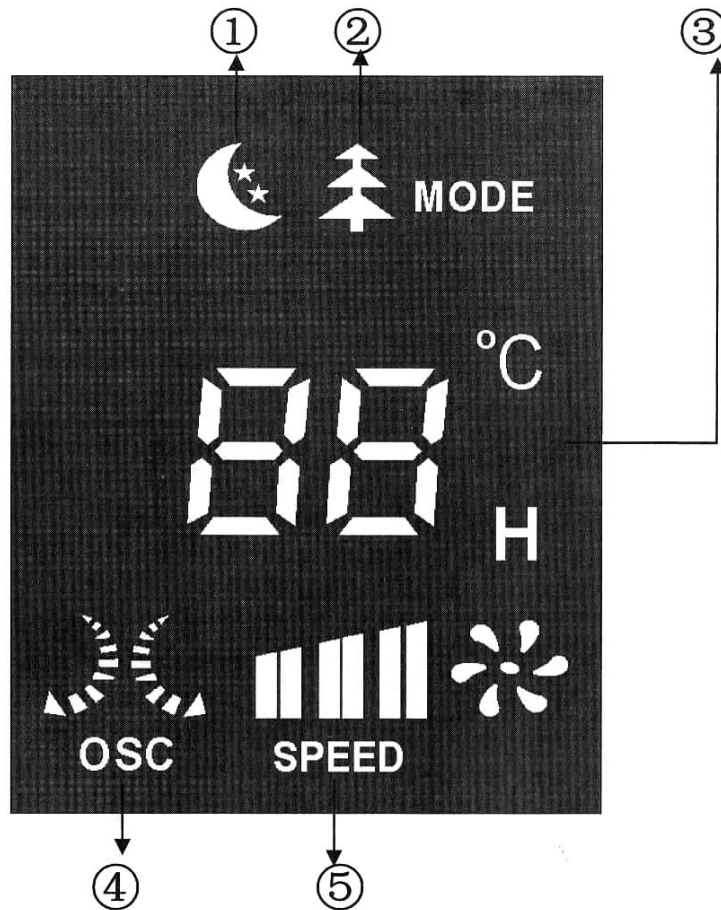
**Timer:** Press this button to activate the timer – off function. Each time the button is pressed the timer will be increased by 1 hour up to a maximum of 12 hours.

**Speed:** Choose from 3 comfort settings (HIGH, MED, LOW) by pressing this button until the speed you want is indicated on the FND display

**Mode:** Choose from 3 different breeze patterns (Sleep, Nature, Normal) by pressing this button until the type of breeze desired is indicated on the FND display

## COLOR FND DISPLAY

1. Sleep wind 2. Natural wind 3. Display room temperature or timer 4. Oscillation 5. Speed



### Guidelines for using the remote control

- The remote control must be pointed towards the receiver on the fan in order to work.
- The remote control may not operate in a room where heavy machine is operating.
- Do not block the line of sight between the remote control and the receiver
- Handle the remote control with care. Do not drop the remote control on the floor or bang it against hard objects.

### Guidelines for use of batteries

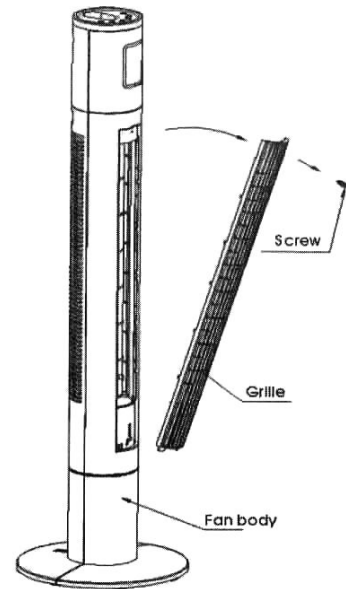
- If the remote control will not be used for a long period of time, remove the batteries from the battery compartment.
- The remote control uses two AAA batteries, both of which should be new and replaced at the same time when they run out.
- Clean battery contacts and also those of the device prior to battery installation
- Ensure the batteries are installed correctly with regard to polarity, matching +/- sides of the battery to corresponding indications on the remote control.
- Remove used and dead/discharged batteries promptly

## SPECIFICATIONS

Model Number: HTF-245LR  
Voltage: 220-240V ~ 50/60Hz  
Wattage: 45 Watt  
Oscillation: 90 degrees  
Weight: 4.20 kg  
Dimensions: L320xW320xH1145mm

## CLEANING INSTRUCTIONS

1. Always disconnect the cord from the electrical outlet before cleaning your fan.
2. Dust may be removed by using a vacuum cleaner along the back of the fan where the plastic grille covers the air intake.
3. Wipe the exterior surfaces of the fan occasionally with a damp cloth (not dripping wet) and dry thoroughly with a soft dry cloth before operating the fan.
4. Do not use harsh cleaners or materials to clean this unit, do so will cause damage.
5. Unscrew the screw in front of fan grille, open the grille to clean the fan wheel softly. Please see right-side picture



**CAUTION:** DO NOT ALLOW WATER TO RUN INTO THE INTERIOR OF THE FAN AS THIS COULD CREATE A FIRE OR ELECTRIC SHOCK HAZARD. THE FAN MOTOR IS FACTORY LUBRICATED FOR LIFE AND WILL REQUIRE NO FURTHER LUBRICATION. NO OTHER USER MAINTENANCE IS REQUIRED OR RECOMMENDED. IF SERVICE IS REQUIRED, SEND YOUR FAN TO THE NEAREST AUTHORIZED SERVICE DEPOT

### TO STORE:

1. Follow cleaning instructions 1-4 above.
2. Retain the original packaging to store your fan.
3. Always store in a dry place.
4. Never store while still plugged in.
5. Never wrap cord tightly around the fan or put any stress on the cord where it enters the fan as it could cause the cord to fray or break.

### Care and Maintenance

1. Always disconnect the cord from the electrical outlet when cleaning your fan.
2. Light accumulated dust may be removed from the fan with a soft cloth or vacuum cleaner using the dusting brush attachment.
3. Wipe the exterior surfaces of the fan occasionally with a cloth moistened (Not dripping wet) with a mild soap solution. Dry the case thoroughly with a soft dry cloth before operating the fan.
4. Avoid the use of gasoline, benzene, thinner etc as they may result in damage to the fan.
5. Store the fan in a clean dry place when not in use.

**WARNING!** DO NOT ATTEMPT TO OPEN OR REPAIR THE UNIT YOURSELF DOING SO COULD VOID THE WARRANTY AND CAUSE DAMAGE OR PERSONAL INJURY