

HESSTAR

PORTABLE AIR CONDITIONER

HAC-P93
HAC-P123



INSTRUCTION MANUAL

Please read this manual carefully.
To keep this manual in the place accessible by a user at any time.

CONTENTS

CONTENTS	1
IMPORTANT SAFEGUARDS	2
FEATURES AND PARTS LIST	3
PANEL CONTROL.....	4
REMOTE CONTROL	6
OPERATION METHODS	7
INSTALLATION	8
WATER DRAINAGE METHODS	10
MAINTENANCE.....	11
TROUBLE SHOOTING.....	12
INSTALLATION ACCESSORIES.....	13
APPENDIX.....	14

IMPORTANT SAFEGUARDS

Important Safeguards.

Read all instructions.

Disconnect the power plug before dismantling, assembling or before cleaning.

Avoid touching mobile parts of the appliance.

Never insert fingers, pencils or any other objects through the guards whenever the power plug is connected, especially while running.

The appliance is not intended for use by young children or infirm persons unless they have been adequately supervised by a responsible person to ensure that they can use the unit safely.

Young children should be supervised to ensure that they do not play with the appliance.

Do not use the appliance for any other purpose than its intended use.

The appliance must not be used if the guards are not fastened according to instructions.

When the power cord is damaged, it must be replaced by the manufacturer or its service agent or a similarly qualified person in order to avoid a hazard.

Do not use your appliance with an extension cord unless it has been checked and tested by a qualified electrician or electrical supplier

Return to Hagemeyer or authorized service agent.

The air conditioning unit must always be stored and transported upright, otherwise you may cause irreparable damage to the compressor. In case of doubt we suggest to wait for at least 24 hours before you start the air-conditioning unit.

Avoid restarting the air conditioning unit unless 4 minutes have passed since being turned off, or the compressor may get damaged.

Never use the mains plug as a switch to start and turn off the air conditioning unit. Use the provided ON/OFF switch located on the control panel.

Always place the portable air conditioner on a dry stable surface.

•The appliance shall not be installed in the laundry.

•The appliance must be positioned so that the plug is accessible. And it shall be installed in accordance with national wiring regulations.

Energy Saving Tips.

- Do not cover or restrict the airflow from the Outlet or Inlet grills.
- The minimum distance from furniture and wall should be 50cm.
- Keep blinds and /or draperies, on any windows, closed during the sunniest part of the day.
- Keep the filters clean. Under normal conditions, the filters should be cleaned approximately every 30 days. Since the filters remove airborne particles, more frequent cleaning maybe necessary, depending on the indoor air quality.
- Set the fan speed switch to high cool and the thermostat to the coolest position for the initial start-up, then set the Fan switch to Low cool and lower the thermostat to a comfortable setting.

The Max operation temperature for the air conditioner Cooling 35°C 24°C.

The Max operation temperature for the air conditioner Heating: 27°C 19°C.

The Min operation temperature for the air conditioner Cooling: 21°C 15°C.

The Min operation temperature for the air conditioner Heating: 7°C, 6°C.

FEATURES AND PARTS LIST

Features:

- No installation is required.
- Easily moved The handle makes moving more convenient.
Streamline colorful screen display .
- LED colorful screen display.
- Water-cooled mode is most energy saving and environment protect.
Low noise and strong wind
- Unique economic function.
- Auto swing makes wind blow from left to right automatically.
- Three-minute restart delay to protect compressor.

Parts name:

1. control panel
2. horizontal louver
3. vertical louver
4. air inlet grille
5. castor
6. exhaust duct
7. handle
8. air outlet grille
9. power cord and plug
10. water injection port
11. power and hook
12. air filter

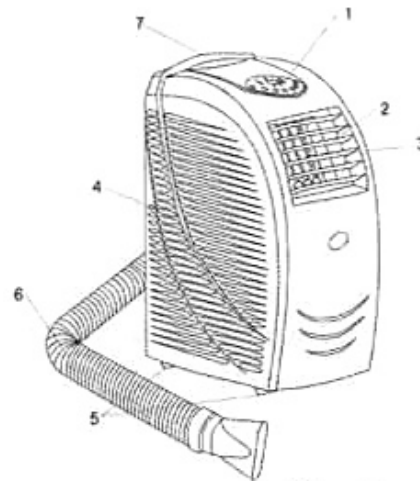


Fig. 1

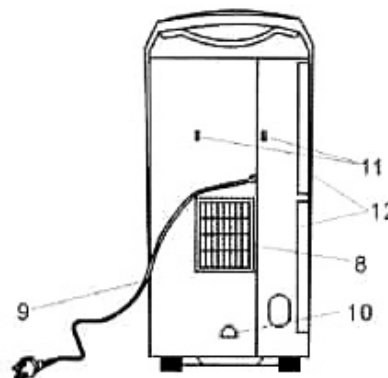


Fig. 2

PANEL CONTROL

CAUTIONS: If the unit is turned off in cool/ dry / heat mode and restarted immediately the unit will wait at least 3minutes before running again.



Fig 3

1. Buttons

TIMER: Press this button to enter time-setting status.

MODE: Press this button to select cool, dry or fan mode.

▲ ▼: Press up or down button to set temperature or adjust the time in Timer mode. When setting timer-on and timer-off, press these two buttons to adjust the time of starting or shutting off. Press both buttons to vary from Celsius to Fahrenheit.

POWER: Press this button to turn on/off the unit.




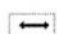








SPEED: Press this button for 5 seconds to select high, middle or low fan Speed. When the machine is on FAN mode, press this button for five seconds, the system will dry itself; if you want to stop drying, press for another five seconds.

SWING: Press this button to make the vertical louver swing automatically. Press once more, the swing will stop.

2. LED display

HEAT	On heating mode, the led will illuminate. (Only for cooling and heating model)
COOL	On cooling mode, the led will illuminate.
FAN	On fan mode, the led will illuminate.
DRY	ON dehumidifying mode, the led will illuminate.
COMP	When compressor is working, the led will illuminate.
FULL	When water is full in the machine, the led will illuminate.
ADD WATER	When the led is illuminating, the user can put some water in the machine.
HIGH	When the fan speed is high, the led will illuminate.
MED	When the fan speed is middle, the led will illuminate.
LOW	When the fan speed is low, the led will illuminate.
88	Indicate the time and temperature. Display EX (X=2,3) when there is something wrong (refer to Self diagnosis function).Display E4 when coil is defrosted.
°C °F	Celsius degree and Fahrenheit degree indicator.

REMOTE CONTROL

-  **Power** Press this button to turn/off the unit.
-  **Timer** Press this button to set the timer.
-  **Swing** Press this button to make the vertical louver swing automatically
-  **°C °F** Vary from Celsius degree to Fahrenheit degree.
-  **Cool** Press this button to choose Cool mode.
-  **Dry** Press this button to choose Dry mode.
-  **Fan** Press this button to choose Fan mode.
-  **Up** Press Up or Down button to set temperature or adjust the time in Timer mode.
Down
-  **High** Press this button to select high fan speed.
-  **Med** Press this button to select middle fan speed.
-  **Low** Press this button to select low fan speed.
-  **Econ** Press this button to a set energy saving mode only in Cool and Heat mode. The set temperature is 27°C in cool mode and 23°C heat mode The fan speed is low. These data can't be changed.



HAC-P93/HAC-P123
remote control

Fig.4

NOTE: To vary from Celsius to Fahrenheit by control panel, press both Up and Down button at least 2 seconds.

OPERATION METHODS

Timer set

1. Set timer-off

Press the Timer button when the unit is on. The LED will flash five Times. During this period press Up or Down button to adjust set time from 0.5h to 24h. It will vary 0.5h each time in 3h and 1h each time hereafter. The set time will flash 5 times after adjusting. When it will display temperature again. Once the set time end, the unit will turn off automatically.

2. Change the set time

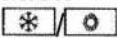
When Timer is on, you can check remnant time by pressing Timer button. It will flash 5 times. Press Up or Down button to adjust set time. The set time can also be cancelled if you press the Timer button once again during the flashing time.


3. Set timer-on

Press the Timer button when the unit is off Same as timer-off set. Once the set time end, the unit will turn on automatically.

Cooling/Heating and Dehumidifying operation

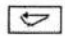
1. Cooling/Heating operation

Press Mode button or  to choose Cool/heat mode.

Press Up or Down button or  to set a proper room temperature.

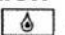
The range is 18~30°C (64-86° F). The temperature will increase or decrease 1°C or 1 F each time.

Press Speed button or  to choose a proper fan speed.

Press Swing button or  to adjust the direction of vertical louver.

Adjust horizontal louver by hand.

2. Dehumidifying operation

Press Mode button or  to choose Dry mode. The fan speed is Low, LED displays room temperature. These cannot be adjusted.

NOTE:

- 1 In cool mode, when the water Injection indicates lights, you can inject some water through the injection port before cooling operation (no longer than High level).
- 2 You should drain water with the drainpipe in heat and dehumidifying mode. The unit will stop work when water level exceeds the high level.
- 3 Do not use air exhaust duct when in Dry or Fan modes
- 4 If your room is directly exposed to the sun, draw the curtains please.

INSTALLATION

1. Selection of Installation Place

Install the unit on a flat and dry place. Leave at least 50cm space around the unit (when the hose is not connected). (Fig.5)



Fig. 5

2. AIR Exhaust Duct Mounting Method

- 1) Fix the square end of the exhaust duct to the exhaust terminal of the unit.
- 2) Put the other end (discharge) to the nearest window. Leave at least 50cm place around it.

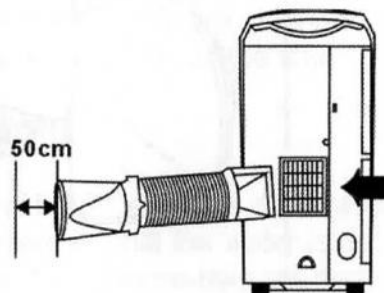


Fig. 6

NOTE:

The length of the air exhaust duct is between 600cm to 1700cm or 1800cm (adapters included). We suggest using the minimum length of the air exhaust duct. That can save energy for you.

This length has been designed especially according to the specifications of the air conditioner .Do not use an extension or exchange of a different hose as that may lead to malfunction.

3. Window Kit Installation

The window kit has been designed to fit most standard vertical and horizontal windows. However, it may be necessary for you to modify some aspects of the installation procedures for certain types of windows. Please refer to the illustrations. (Fig.7 and Fig.8)

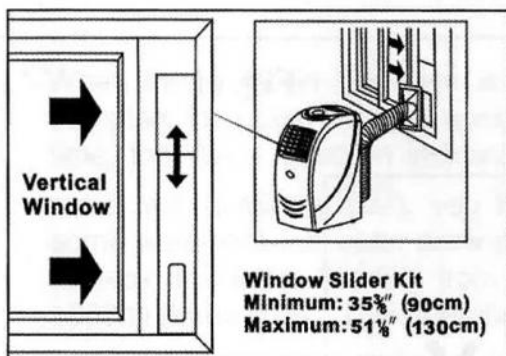


Fig. 7

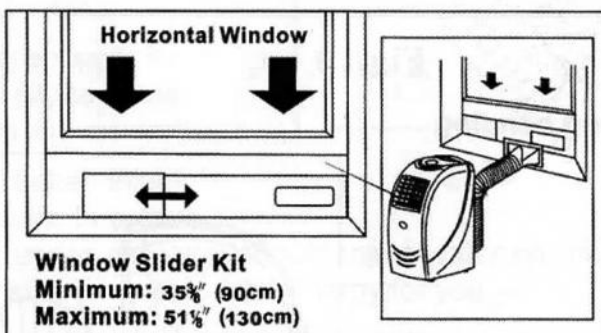


Fig. 8

4. Mounting illustrations

1. mounting in the wall

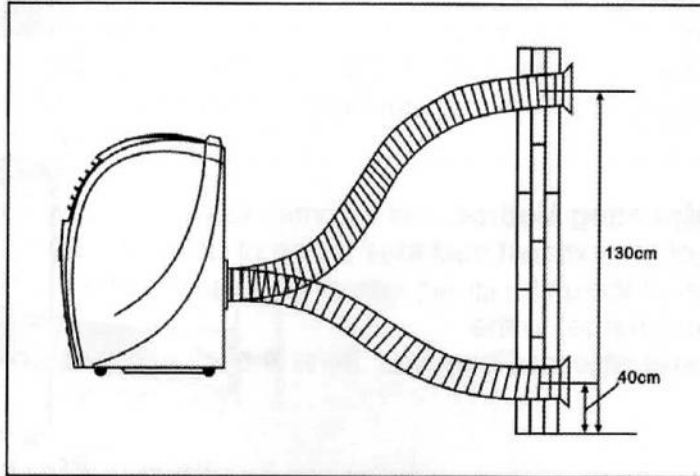


Fig. 9

2. correct bending

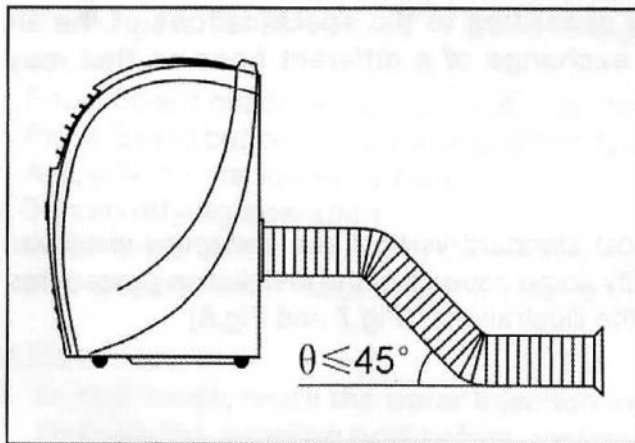


Fig.10

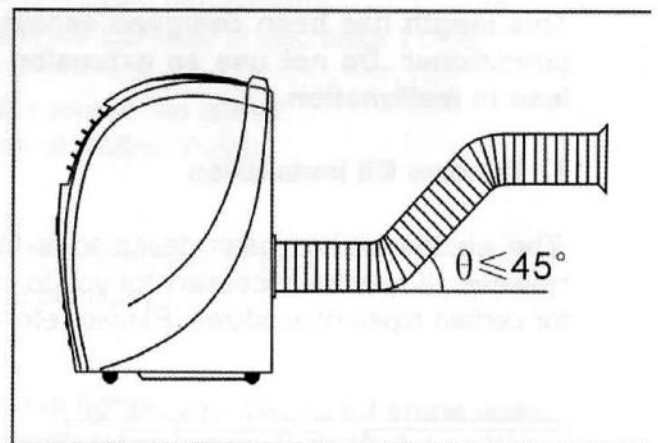


Fig.11

3. wrong bending

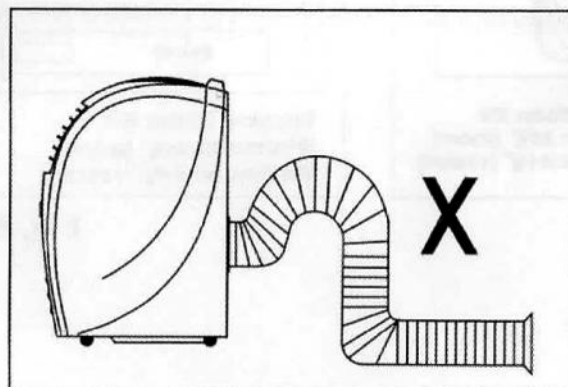


Fig.12

WATER DRAINAGE METHODS

This product has a self-evaporative system. The condensing water will recycle to cool the condenser. This water-cooled mode can not only improve cooling efficiency and decrease noise, but also save energy for you.

- * When in cooling mode, the water from the evaporator will flow into a inside pan. When the water reaches the low level, the water pump will work until the water is under the low level. When the water reaches the high level, the compressor will stop working, and the water pump, lower fan motor and upper fan motor will work on all the time.
- * When in heating mode, the water pump won't work.
- * When the water is full, the water full indicator will light and the compressor will stop working. The buzzer will buzz 10 times every 5 minutes until the water is below the high level or drained by hand. When the alarm stops and after three-minutes restart delay, the unit will work normally.

* Before you empty the unit you will need to turn the unit off and pull the plug out of the power supply. Uncap the lid, remove the rubber plug on the drainage port, then let the water flow out. Once drained, put the rubber plug back and screw the lid up a switch it on. The compressor will delay restarting for three minutes, and then the unit will work normally.

* Move the unit gently when the water is high. If not, the water may spill from the inside of the unit.

* When the water in the cave is not enough for pumping, the pump will stop working. At the same time, the Water Injection indicator on the control panel will illuminate (☹), you had better inject some water into the water draw carefully. In order to avoid the water flooding from the under pan, you should inject water no more than 1800ml (three cups). This operation helps save 20%-30% energy for you.

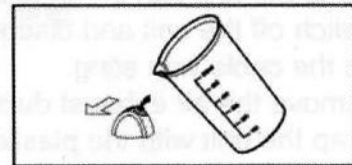
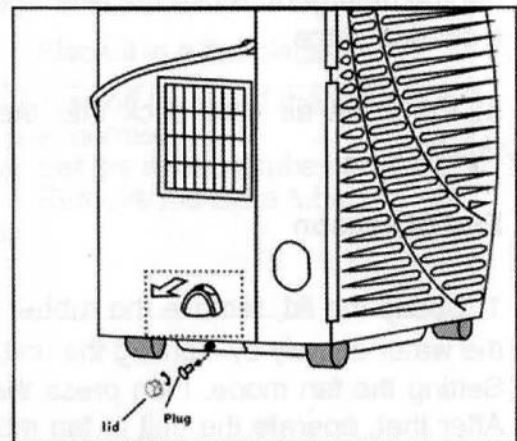


Fig. 13

MAINTENANCE

Cleaning

Turn off the unit and pull the plug out of the socket before any cleaning.

1. Clean the surface

Clean the surface of the unit with a duster or a half-wet soft cloth.

Do not use chemical solvent like benzene, alcohol, gasoline and etc,
Or the surface may be damaged or even deformed.

2. Clean the air filter

If the air filter is blocked with a lot of dust, the efficiency will reduce. You'd better clean the filter every two weeks.

1 Pull out the air filter as Fig.14.

2) Wash the air filter by immersing it gently into warm(under 40°C or 104°F)water with neutral detergent. Rinse the filter and dry it in a shaded place.

3) Push the air filter back into the original position.

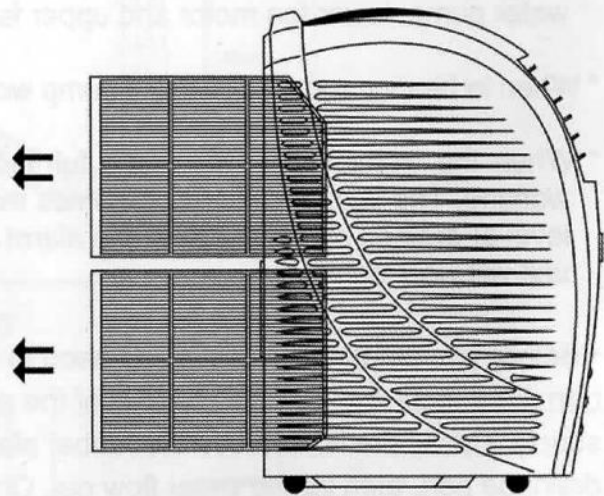


Fig. 14

End of season

1 Upcap the lid, remove the rubber plug on the drainage to drain the water. You can remove the water entirely by slanting the unit back.

Setting the fan mode, then press the Fan button for 5 seconds until the lower fan works. After that, operate the unit in fan mode for half a day until the pipe is dry. In this way the inside of the unit can be dried and the mildew growth can be suppressed.

2. Switch off the unit and disconnect the plug from the power supply.

3. Tie the cable with sting.

4. Remove the air exhaust duct and keep it carefully.

5. Wrap the unit with the plastic bag, and keep it in a dry place.

6. Take the batteries out of the remote control and keep them well.

TROUBLE SHOOTING

Before contacting professional service, please firstly check it yourself referring to the followings.

Trouble	Check	Solution
The unit doesn't operate at all.	Is power fail? Is plug out? Is power fuse or switch off? Is the set time suitable? Is water full alarm on?	It is normal. Insert the plug into the socket steadily. Change the fuse or switch on. Change the set time. Pour the water.
Cooling/Heating efficiency is not good	Is air inlet or outlet blocked? Is there any other heat source in room? Are air filters very dirty? Is the set temperature suitable? Is fan speed set at low?	Clear off the blocks. Move the heat source. Clean the air filter. Change temperature. Select suitable fan speed.
Too noisy and vibration	It is the inner liquid (refrigerant) flowing inside. Is it inclined?	It is normal. Place it in a flat place.
The unit starts and stops frequently	Is the voltage normal? Is the exhaust tube fixed rightly or is it bended? Have you added extra exhaust tube	Turn off the unit if the voltage is abnormal. Set the exhaust tube correctly. Remove the extra tube.



Stop running and pull the plug out in case something enumerated below happens. Then contact the professional service for help.

The fuse and switch often break.

The power cord superheat or sleeve of the cord is broken.

There is abnormal odor or smoke comes out of the unit.

Self-diagnosis function

Check code	Diagnosis of malfunction
E2	Room temperature faults
E3	Faulty coil temperature

Note: When display E4, it means that the coil is defrosted. That is the normal status.

INSTALLATION ACCESSORIES

Description:

Flexible exhaust hose with adapters ... 1/set

Stretch from 28 cm up to 150 cm

Window exhaust adapter (flat mouth) ... 1pc

Adjustable window slider kit ... 1/set

From 90cm up to 130cm

Screw (the length is 10mm) ... 1pc

Water cup ... 1pc

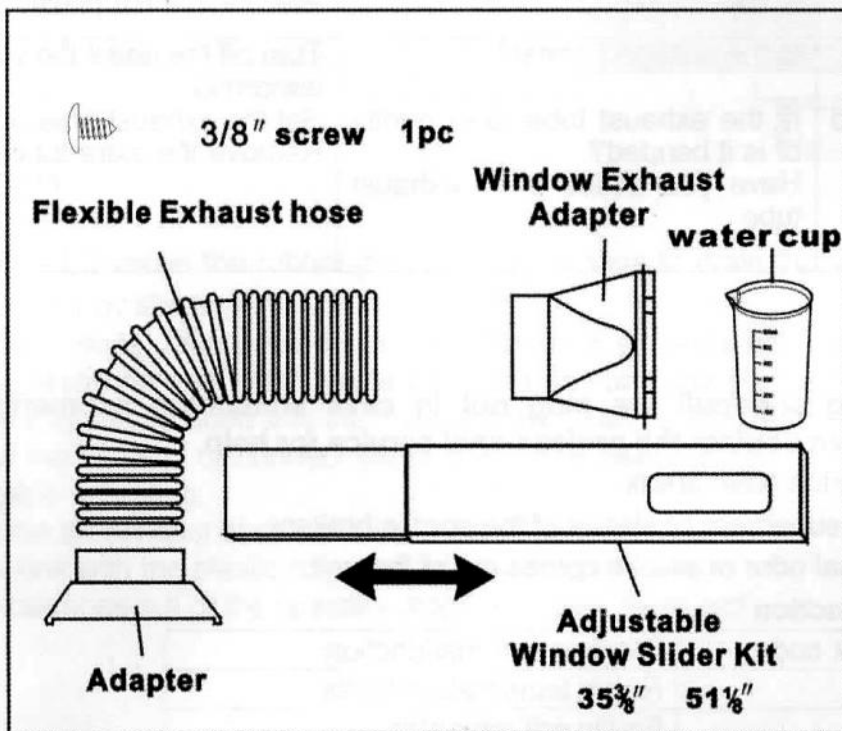


Fig 15

APPENDIX

Fuse Parameter

Type: FSD

Voltage: 220V-240V

Current: 3.15A



Disposal: Do not dispose this product as unsorted municipal waste. Collection of such waste separately for special treatment is necessary.