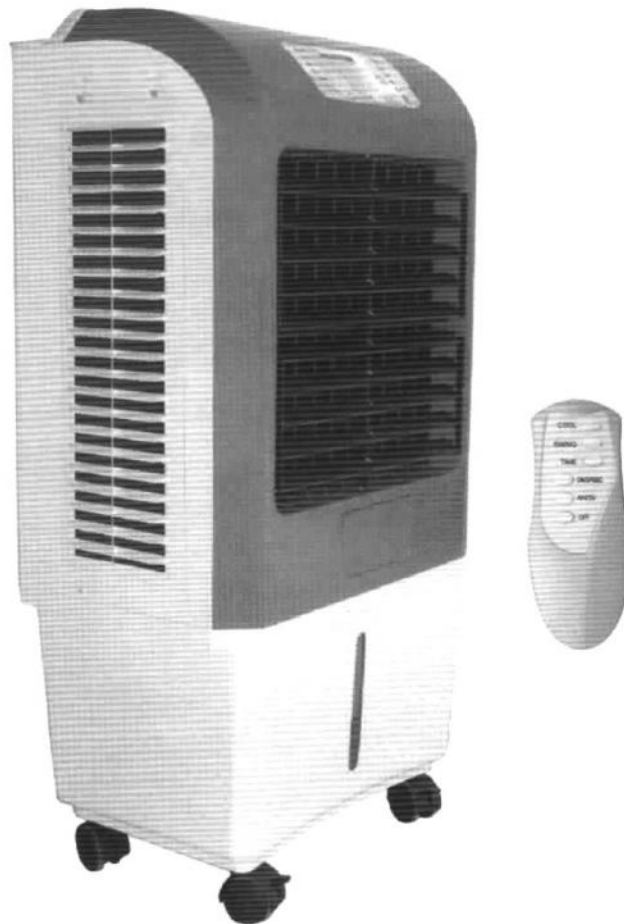


# HESSTAR

## AIR COOLER

HA-230



### INSTRUCTION MANUAL

Please read this manual carefully.  
To keep this manual in the place accessible by a user at any time.

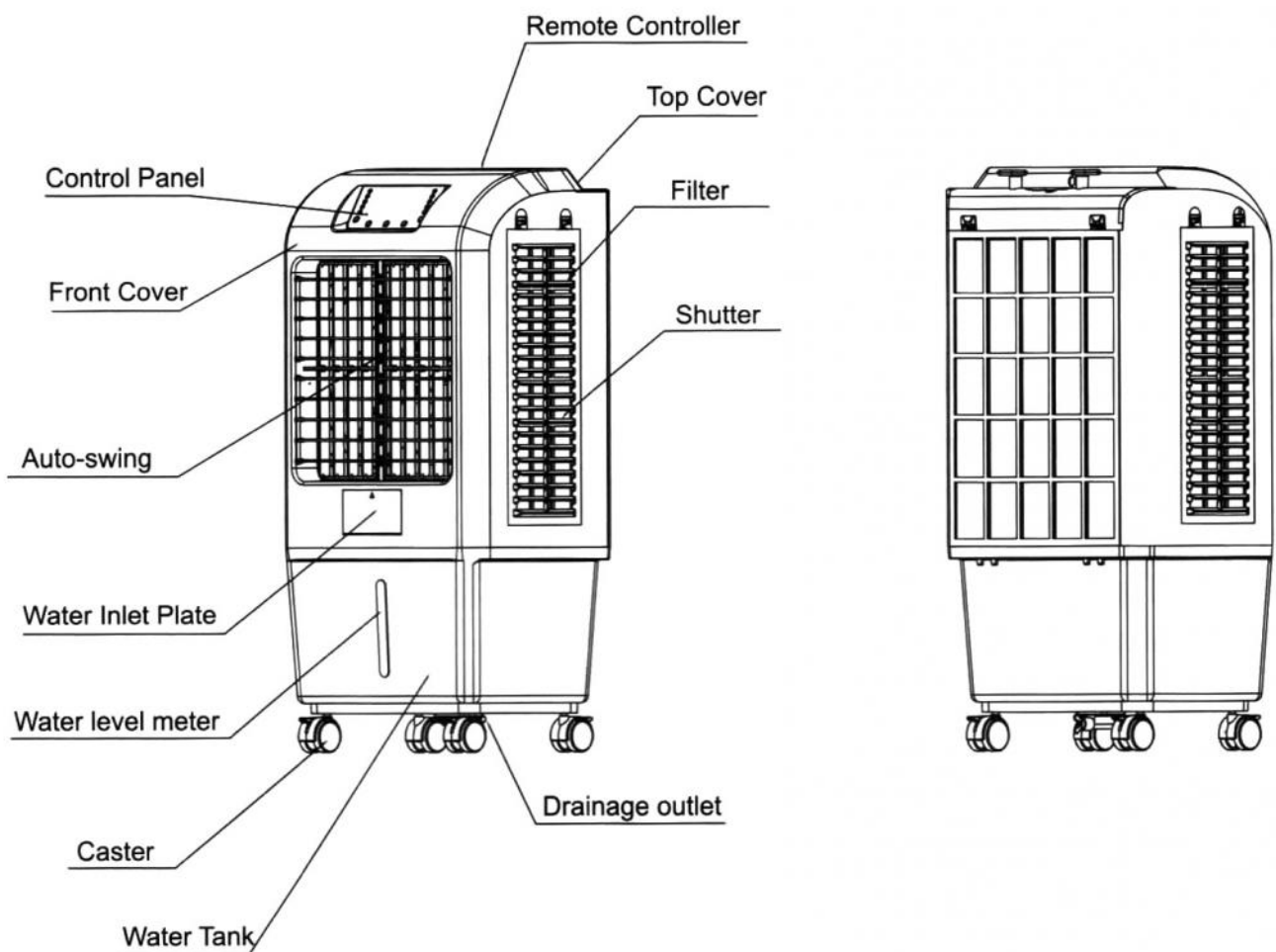
# content

<b>1 Important Notes</b>	<b>1</b>
<b>2. HA-230 Structure Diagram</b>	<b>1</b>
<b>3. Operation Guide</b>	<b>2</b>
<b>3.1 Start/Air Distribution</b>	
<b>3.2 Cooling</b>	
<b>3.3 Swing</b>	
<b>3.4 Timing</b>	
<b>3.5 Anion</b>	
<b>3.6 Power Off</b>	
<b>4. Common Failures and Trouble-Shooting</b>	<b>3</b>
<b>5. Casters Installation Diagram</b>	<b>4</b>
<b>6. Technical Parameters</b>	<b>4</b>

## 1. Important Notes:

- ✧ It should be avoided to use this evaporative air cooler in an enclosed space. The place using the air cooler should be sufficiently ventilated.
- ✧ The power voltage should be ensured within a limit of  $\pm 5\%$ . Too low voltage cause the air cooler unable to be started or frequent on-off action, and the too low or too high voltage may cause the damage of the machine.
- ✧ Before running this machine, please fill up the tank with water, otherwise the machine can't work properly or even cause damage to pump. The water level shall not exceed the red line, otherwise leakage may occur.

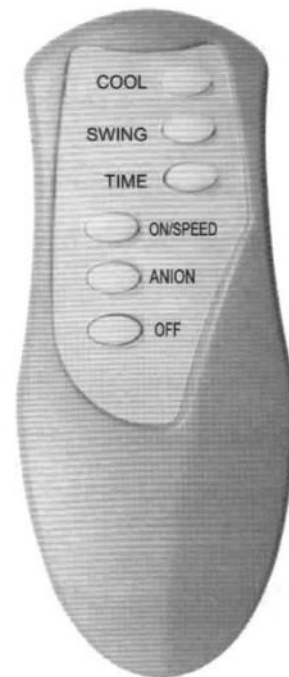
## 2. Structure Diagram



### 3. Operation Guide

#### 3.1 Start/Air Distribution

After the evaporative air cooler is power on, the system will be in working status, and will enter the air distribution mode (middle level) by pressing “Start/Speed” button in the control panel or the remote controller. Within several seconds after the middle level motor is started, the speed will be turned to the low-speed level. Under the air distribution mode, you can adjust the air speed by pressing the “Start/Speed” button. The air speed will be circulating in form of Low-Middle-High-Low.



#### 3.2 Cooling

Enter the cooling mode by pressing the “Cooling” button in the control panel or the remote controller. In the cooling mode, repress down the “Cooling” button, the system will quit the cooling mode.

#### 3.3 Swing

Press down the “Swing” button in the control panel or the remote controller, the vertical air guide strips will swing automatically, and the machine will enter the swing mode. Repress down the “Swing” button, the air guide strips will stop working.

#### 3.4 Timing

Press down the “Time” button in the remote controller and select “Time ON”, the time will change from 1H to 2H, from 2H to 4H and from 4H to non-time mode by each press. The time will be circulating in form of 1H-2H-4H-Non-time.

#### 3.5 Anion

Press down the “ANION” button in the control panel, the anion indicator will flash on and the system will enter the anion distribution mode. Under this mode, press down the “ANION” button, the system will quit.

#### 3.6 Power Off

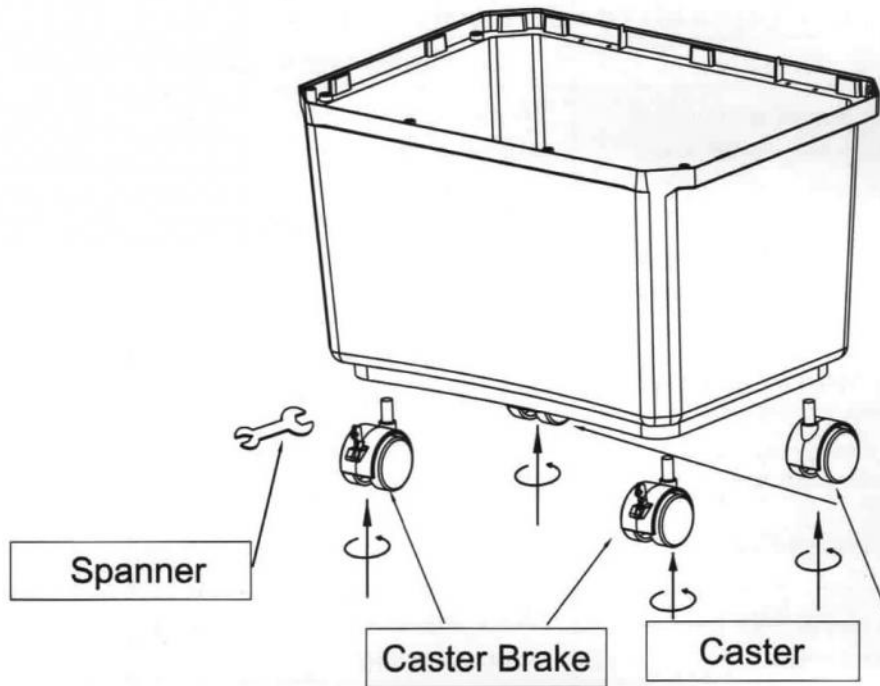
Press down the “OFF” button in the control panel or the remote control, the machine will be shut off.



## 4. Common Failures and Trouble-Shooting Methods for

Mobile Evaporative Air Cooler (HA-230)				
S/N	Failure	Cause	Troubleshooting Method	Remarks
1	Evaporative Air Cooler fails to work and no response after pressing the button down	The power is cut off or the power input is not properly connected.	To measure the input voltage and connect the power supply as required	Recommend to use a voltage meter because the electroscopic pen can't measure it properly.
		Damaged AC fuse or open circuit for over-current protection	Replace the fuse or re-turn the switch on	over-current protect restarts, check the cause for the occurrence of over-current
		The batteries in the remote controller run out	Change the batteries	
		The remote controller become defective	Repair or replace the control panel with the same model	
2	No air comes out when pressing down the "ON/Speed" button	Damaged motor	Repair or replace it with the same model motor	
		The motor wire loosened or in poor contact	Check whether the motor wiring is correct or not.	
		Damaged thermal relay	After measurement, replace it with a new one in same model	Check the voltage and current parameters of the thermal relay
3	The water pump works but provides poor cooling effect	The filter net is jammed or dirty	Clean or change the filter net	
		The filter net is dry or lacks of water when the machine is working	Check whether the water distribution system is blocked or not and check whether the pump is working in good condition or not	
		Too high room humidity	In summer, the room humidity is too high, so the cooling effect may be poorer than in dry days. You can shut down the pump and strengthen the ventilation	
4	The water pump does not work	Damaged pump	Repair or replace the pump with a new one in same model	
		The motor connection is loosened.	Fasten the connection	
5	The water pump works but no water pumped out or little water in the filter net	The pump filter is blocked or dirty	Clean the filter net	
		The water pipe is blocked	Clean the water pipe	
		The water distributor on the top of the filter support is blocked	Clean the water distributor	
7	Water blows out	The old filter net becomes thinner.	Change the filter net	
		The filter fibre breaks the net so that water comes out	Remove the fibre	
		Too much water in the filter net	Check the pump and the water distributor	
8	Peculiar smell	The place of the machine is near to the peculiar smell source or the moss is produced in the water tank.	Clean the air cooler	
9	White sediment occurs in the water tank and the filter net	Too high salt content in water.	Increase the drainage frequency	

## 5. Casters Installation Diagram



## 6. Technical

Air capacity	2000m <sup>3</sup> /h
Power	120W
Voltage/frequency	220V - 240V, 50Hz
Current	0.55A
Type of fan	Axial
Type of motor	Single Phase. Three Speeds
Tank Capacity	23L
Noise	≤ 52dB
Dimension	480 x 340 x 870 mm
Net weight	10.5kg